

The NATIONAL TIME C4 Synchronized Series is a ceiling mount strobe or horn/strobe combination that offers dependable audible and visual alarms.

The C4 Series horns provide selections for high/low dBA, continuous/code 3 temporal horn as well as selections of high frequency tone or mechanical tone. The low dBA selection will reduce horn output dBA and is used in environments with low ambient noise levels. The high frequency (2400 Hz) selection is recommended for use in remote signal applications. The low frequency (factory) selection is recommended for use in evacuation signaling application. The C4 Series horns are factory shipped for code 3 temporal selection. The C4 Series strobe provides a low operating current and a minimum flash rate of 1Hz throughout the rated input voltage range. The candela intensity is field selectable with settings of 15CD, 30CD, 75CD, 95CD or 115CD using a convenient dial selector.

The C4 Series easy slide mounting system provides convenient installation and device testing operation. The C4 Series operates from the synchronized outputs on the National Time Synchronized Series, Fire Alarm Control Panel or Notification Appliance Control Panel or from the Remote Power Supply providing individual synchronized horn and strobe operation on the same 2 wires.

The C4 Synchronized Series comes standard with a mounting plate. The mounting plate will mount to a 4" square box, a 2-gang masonry box, a 2-gang switch box, a single gang masonry box, a single gang switch box or 4" octagon box.

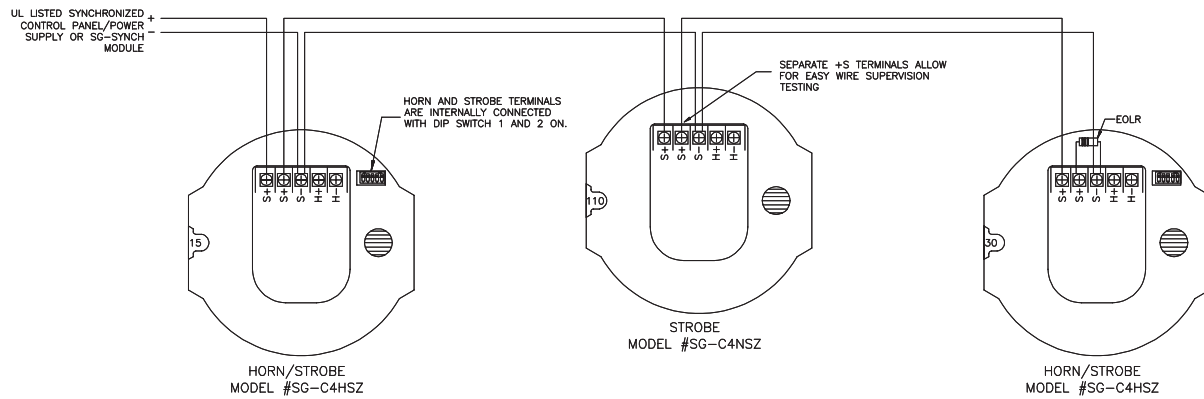
The C4 Synchronized Series appliances are UL 1971 listed for use with fire protective systems.



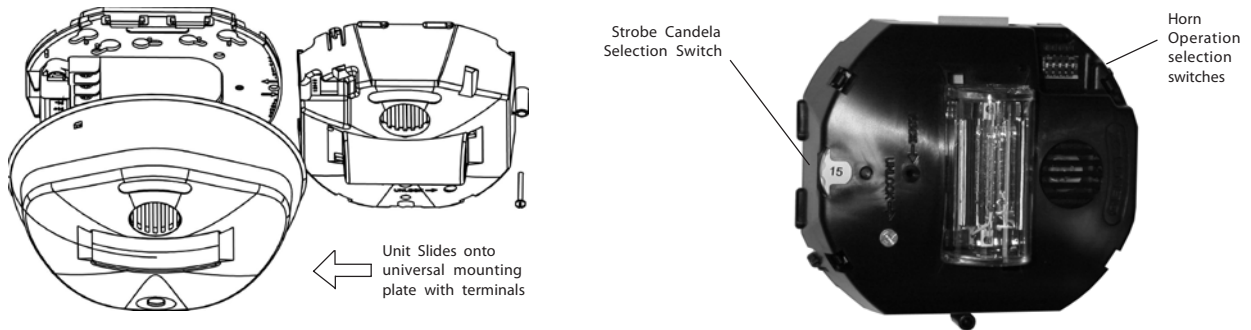
Features:

- Low Operating Current
- Easy Installation - Ceiling Mount
- Convenient Test Operation
- Tamper proof Re-Entrant Grill
- High/Low dB Selection
- High/Low Frequency Selection
- Continuous or Temporal Selection
- Selectable Candela Intensity
- Wide Voltage Range
- Input Terminals 12 to 18 AWG
- Strobe/Horn Synchronization
- Individual Horn/Strobe Operation on 2 Wires
- ADA Compliant; NFPA 72
- U.L. Listed

Wiring Diagrams



Mounting Options



Ordering Information

	Model Number	Nominal Voltage	Candela	Strobe Current		Horn Current	Anechoic
				24VDC	UL max ¹	UL max ¹	Room @10 ft.
Strobe Only	SG-C4NSZ	24 Vdc	15	72mA	120mA	--	--
	"	"	30	101mA	120mA	--	--
	"	"	75	167mA	200mA	--	--
	"	"	95	200mA	220mA	--	--
	"	"	115	214mA	290mA	--	--
	"	"	150	286mA	321mA	--	--
Horn/Strobe	SG-C4HSZ	24 Vdc	15	72mA	120mA	22mA	90dBA
	"	"	30	101mA	120mA	22mA	90dBA
	"	"	75	167mA	200mA	22mA	90dBA
	"	"	95	200mA	220mA	22mA	90dBA
	"	"	115	214mA	290mA	22mA	90dBA
	"	"	150	286mA	321mA	22mA	90dBA

When ordering, please specify style by adding the following to the end of the model number: "-WH" = White Version

¹RMS current ratings are per UL average RMS method. UL max rating is the maximum current throughout the operating voltage range (16-33VDC)

Part Number	Description
SG-C4CSB	Plastic Surface backbox for C4 Series